



Little Crow

Solar Park

Little Crow Solar Park, Scunthorpe

132KV SUBSTATION LAYOUT GENERAL ARRANGEMENT

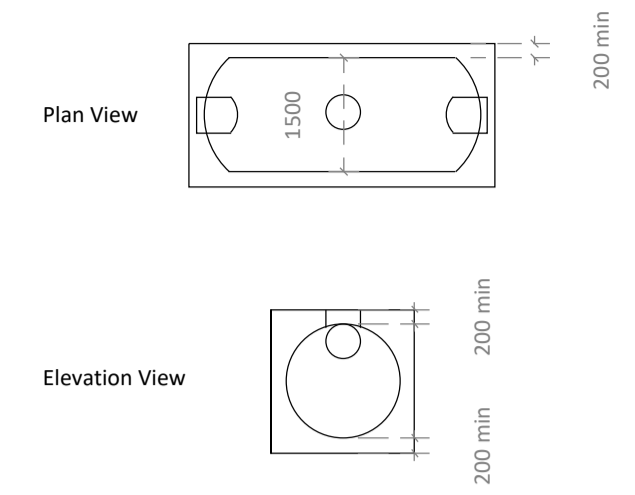
Revision:
APFP Reg:
PINS Reference:

Submission
5(2)(O)
EN10101

Author:
Date:

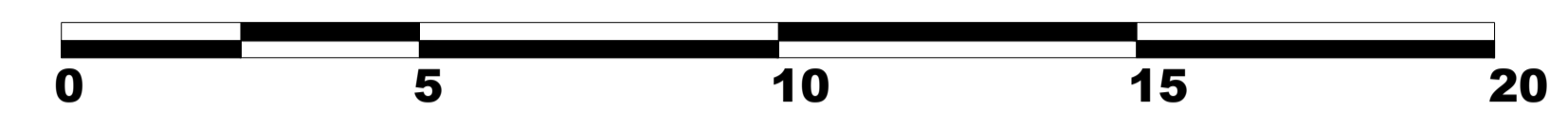
SMS
October 2020

Cesspool - Horizontal Tank

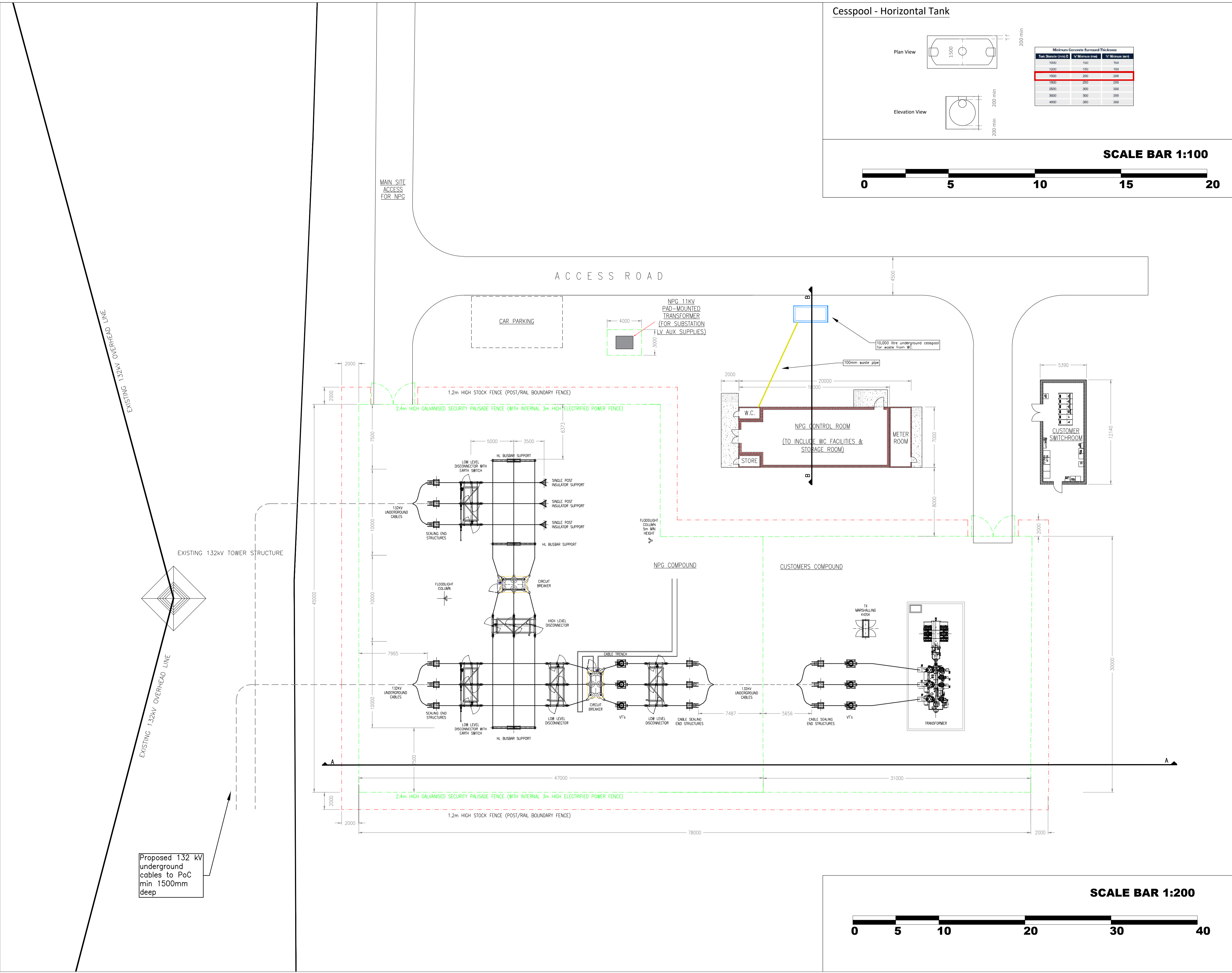


Minimum Concrete Surround Thickness		
Tank Diameter (mm) D	1st Minimum (mm)	2nd Minimum (mm)
1000	150	150
1200	150	150
1500	200	200
1800	250	250
2500	300	300
3000	300	300
4000	350	300

SCALE BAR 1:100

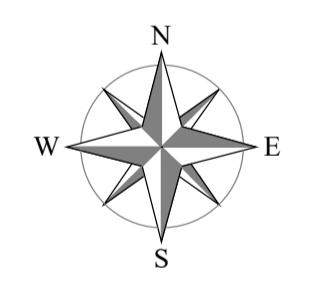
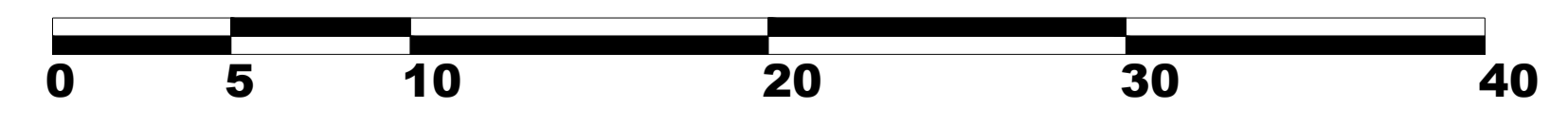


Rev	Date	By	Description
00	21/05/20	AC	Initial Issue



Proposed 132 kV underground cables to PoC min 1500mm deep

SCALE BAR 1:200



Document Reference No. 2.24 LC DRW
APFP Regulation 5(2)(c)

Client
INRG Solar (Little Crow) Limited

Job Title
LITTLE CROW SOLAR PARK

Drawing Title
**132KV SUBSTATION LAYOUT
GENERAL ARRANGEMENT**

Drawn	AC 21/05/20	Checked	AT 22/05/20
Approved	PP 26/05/20	Scale	1:200 @ A1

SMS PLC own the copyright of this drawing which is supplied in confidence and must not be used for any purpose other than that for which it is supplied and must not be reproduced without written permission from the owners.



SMS PLC, Prennau House, Copse Walk, Cardiff Gate Business Park, Cardiff CF23 8XH
Tel: 029 2073 9500 Fax: 029 2073 9501 info@sms-plc.com

Site Reference Number	Drawing Number	Revision
E000205191	GA-001	00

